

SERIES PB-50A Power connectors 2-pole



JH



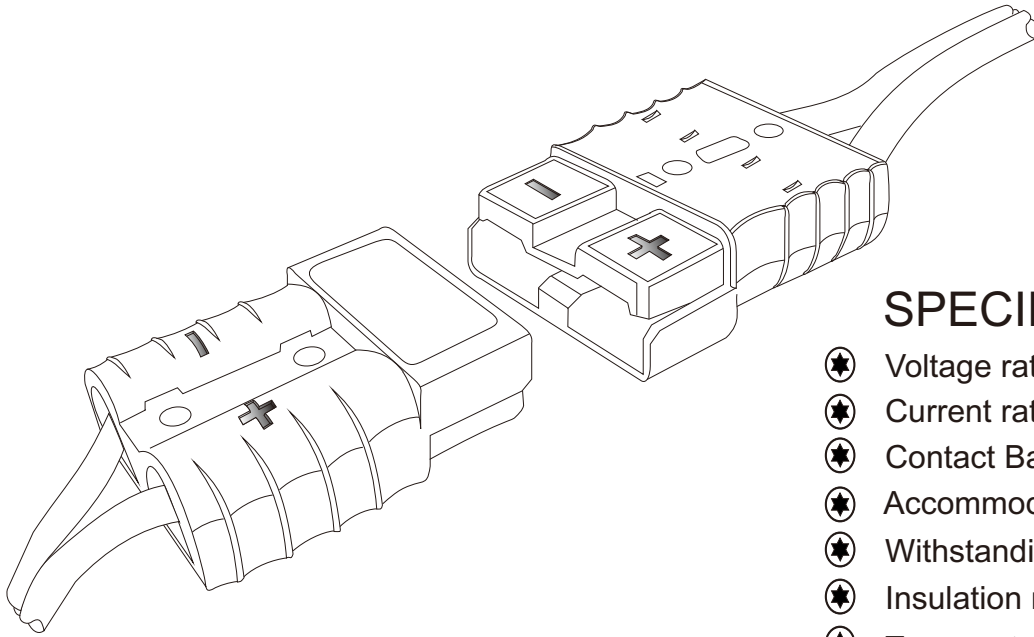
STANDARDS



E141311(豪訊)

All bear JH mark

Powerpole Modular Connectors (電源極性連接器)



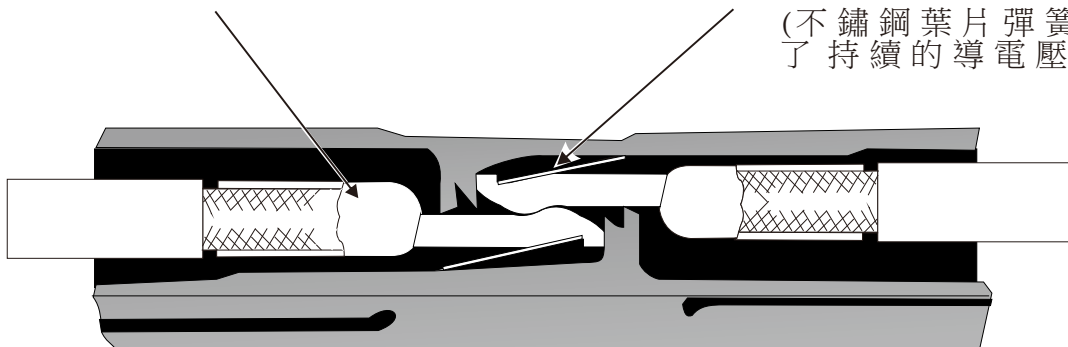
SPECIFICATIONS

- ⊛ Voltage rating:600V AC,DC
- ⊛ Current rating:50A AC,DC
- ⊛ Contact Barrel Wire Size
- ⊛ Accommodation(AWG):6 to 12
- ⊛ Withstanding voltage:2200V DC/minute
- ⊛ Insulation resistance:200M Ω min
- ⊛ Temperature range:-20 $^{\circ}$ C ~ +105 $^{\circ}$ C
- ⊛ Unit(單位):m/m
- ⊛ Material(材質):UL94V-0 PC
- ⊛ Tolerance(公差): \pm 0.3 m/m

Low resistance silver-plated copper contacts
(低電阻鍍銀的銅連接端子)

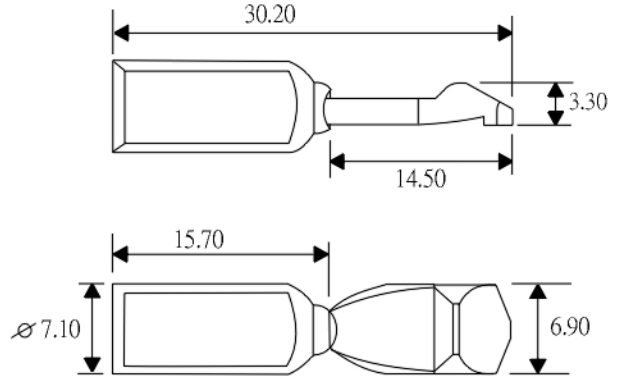
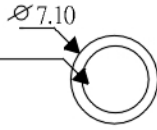
Stainless steel leaf
Spring provides constant
contact pressure

(不鏽鋼葉片彈簧提供了持續的導電壓力)



No: PB-50T	Silver Plating
	鍍銀

Wire AWG	Well Cable Diameter
# 6	5.5
# 8	5.1
#10	4.6
#12	3.2



No: PB-50H	Color	GY	BK	R	BL
	顏色	灰	黑	紅	藍

